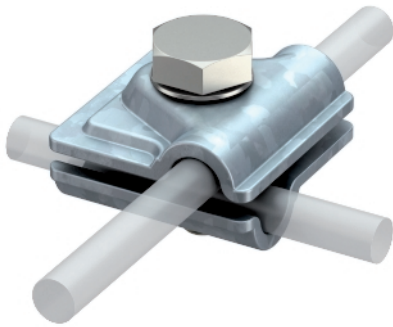


Vario quick connector



- For T, cross and parallel connectors
- Quick installation using hexagonal bolt M10 x 30, high-grade stainless steel
- Conforms to the requirements according to DIN VDE 0185-305 (IEC 62305)

Type	Fit mm	Dimen- sion A mm	Withstand lightning current kA	Pack. pcs	Weight kg/100 pcs.	Item No.
249 8-10 ST	Rd 8-10	40	H/100	20	10.800	5311500
249 B ST	Rd 8-10	40		100	10.800	5311705

St Steel

FT Hot-dip galvanised

Dimensions

