

## Teknik Bilgi Föyü

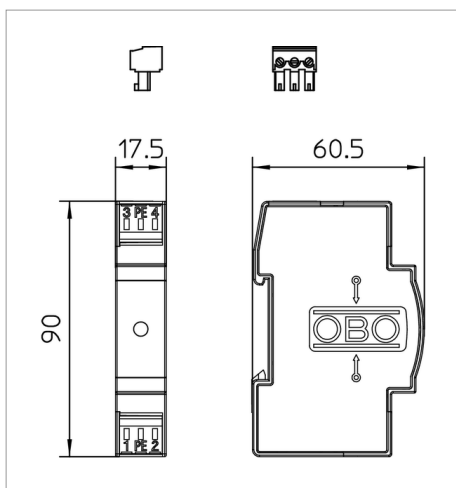
### MCR protection for 2-pin for power supply with remote signalling, 110 V AC/DC



Type 3 surge protection/fine network protection with remote signalling

- With remote signalling: Potential-free changeover contact
- Suitable for AC systems
- With visual function display
- With installation-friendly, screwless connection terminals
- In space-saving 17.5 mm grid
- Y circuit

Application: Universal use on 35 mm hat profile rails in any standard distributor housing.

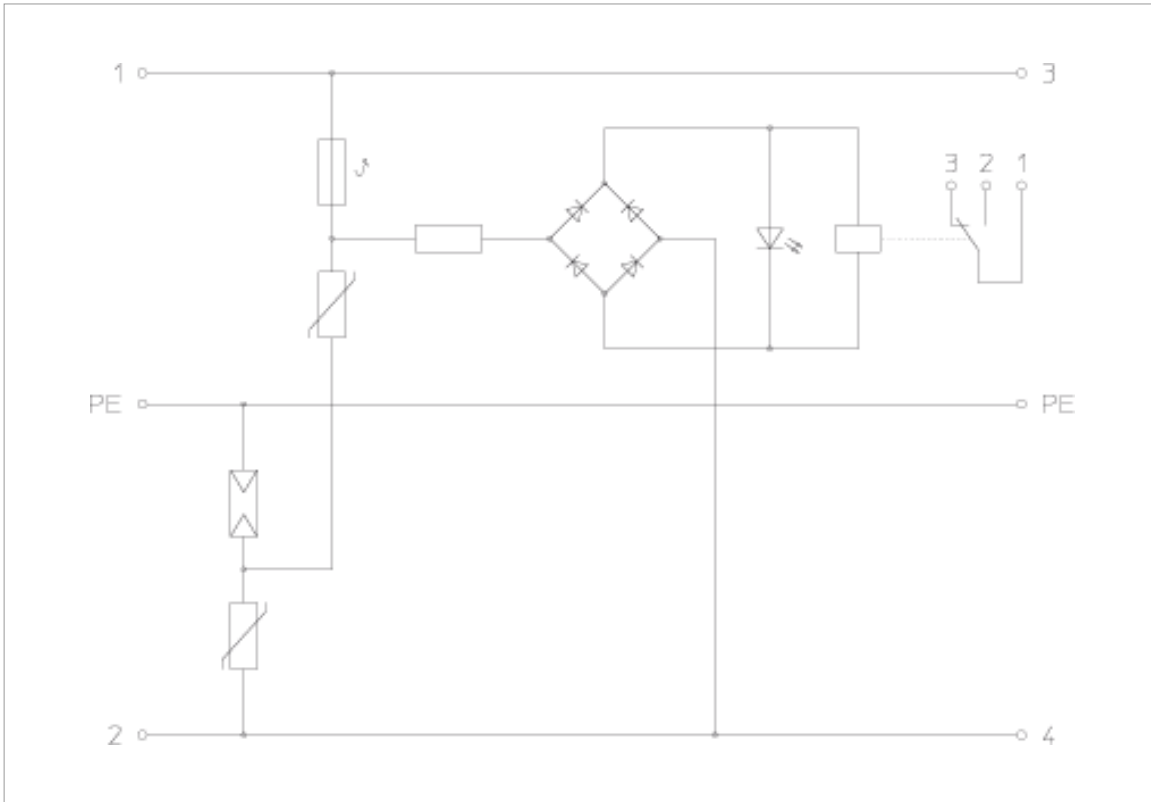


Type	U max DC V	U max AC V	Pack Units	Weight kg/100 pc.	Ürün No
VF24-AC/DC-FS		34	1	6.700	5097820
VF110-AC DC-FS		150	1	6.900	5097846
VF230-AC/DC-FS		255	1	6.900	5097852

/pc.



## Bağlantı Şekli



Ürün No			5097820	5097846	5097852
Nominal voltage	$U_N$	V	24	110	230
U max AC	$U_C$ AC	V	34	150	255
LPZ			2→3	2→3	2→3
Nominal discharge surge current (8/20)	$I_n$	kA	0.7	2	2.5
Nominal load current	$I_L$	A	20	20	20
Protection level wire/wire		V	<160	<500	<1060
Protection level wire/earth		V	<1200	<1300	<1400
Response time	$t_A$	ns	< 25	< 25	< 25
Temperature range	$\vartheta$	°C	-40	-40	-40
Division unit TE (17.5 mm)			1	1	1
Connection cross-section, rigid		mm <sup>2</sup>	0.14	0.14	0.14
Connection cross-section, multi-wire		mm <sup>2</sup>	0.14	0.14	0.14
Connection cross-section, flexible		mm <sup>2</sup>	0.14	0.14	0.14