

UC C400 MJ TR S V1

Keystone Jack Cat.6 RJ45 FTP 180° Tool Fast Shielded



Specification

Item	Description
Compatibility	23-26 AWG Shielded cables
Dimensions	36.95mm x 24.5mm x 16.94m
Front housing	Metallized housing
IDC housing	PC, UL 94V-0
Back Cover	Metallized housing
PCB	FR4 94V-0
Contacts	50 micro inches hard gold plating

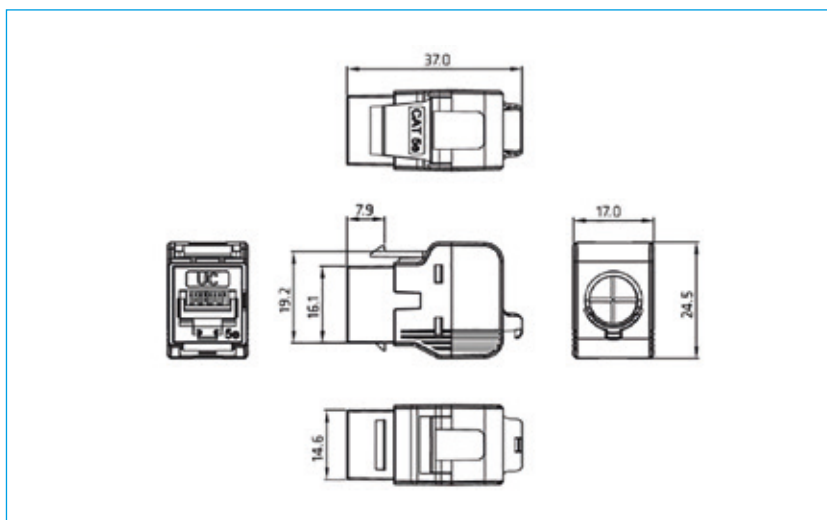
Performance

Item	Description
IDC cap colour code supports both wiring schemes	TIA 568A & 568B
Durability	Modular Jack 750 mating cycles (minimum)
Dielectric withstanding voltage	1000 VDC
Insulation resistance	1000 M / 500 VDC (min)
Contact resistance	20 m (max)
Delay skew	0.2 nsec (max)
Propagation delay	1 nsec (max)
Current rating	1.5 Amps
Input to Output resistance	100 m (max)

3.2. Keystone Jacks



- Cat6 FTP Tool Fast Keystone Jack
- Category 6 Compliant
- 3rd Party Approved
- Dual T568A & T568B wiring
- Compatible with S/FTP cables from 26 AWG to 23 AWG
- RoHS compliant
- Re-termination: 10 cycles (minimum)



Technical data

Product code	Product name	Description	Weight	Items per packaging unit
			g	
YMJB00338	UC C400 MJ TR S V1	Keystone Jack Cat.6 RJ45 FTP 180° Tool Fast Shielded	9.1	1

Related Products

YCJP00397	UC CACC CJ	Tool for Tool Fast Keystone Jack	5	1
YPPBP00343	UC CACC PP S BK 24 1U	19" 1U 24P FTP Keystone Panel Empty 180°	585	1
YPPBP00346	UC CACC PP VP S BK 24 1U	19" 1U 24P FTP Angle Keystone Panel Empty 180° Foldable	585	1
YPPBP00348	UC CACC PP U BK 48 2U	19" 2U 48P UTP Patch Panel Empty 180°	720	1