

4.2. Keystone Jacks



- Cat6A Shielded Tool-Less 90° Keystone Jack
- Easy install facilitated by tool free wire termination
- Compatible with 22 awg – 24 awg
- Fully compatible with our full range of faceplates, adapters and boxes
- PoE+ IEEE 802.3at suitable for power over Ethernet +
- 10Gigabit Component level compliance to ISO/IEC 11801:2002 (including Amendment 2 – 2nd Edition), Amendment 2 to CENELEC EN 50173-1 (2010) and IEC 60603-7-51, ANSI TIA 568-C.2
- Easy install facilitated by tool free wire termination
- Fully compatible with our full range of faceplates, adapters and boxes
- Fits into 32 mm back-box/ floor-box/grid box with angled adapter

UC C500 MJ TF S V7

Cat6A FTP Keystone Jack 90° Tool-less in Silver

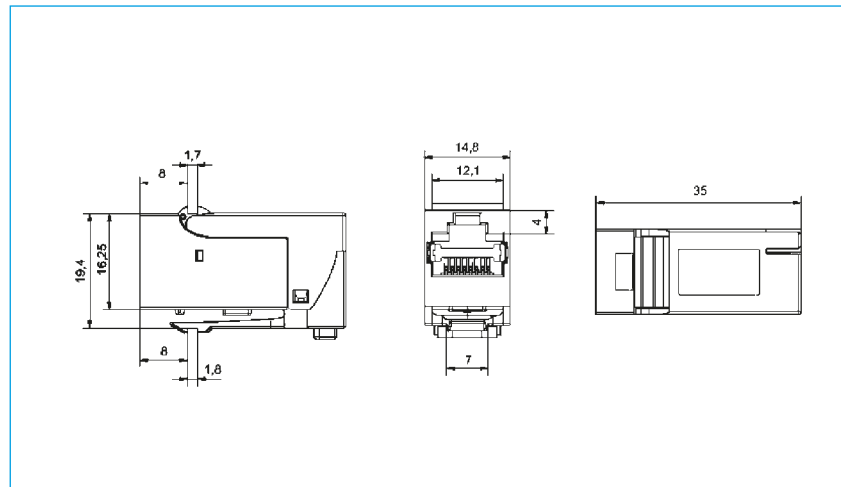


Specification

Item	Description
Material Housing	Zinc Die Casting PA
Insulation Material	PC White
Contact Area	30 μ Gold Plated
Wire size compatibility	5-10 mm
Connection class	IP20
Dimensions	19.3 x 14.7 mm 19.3 x 14.7 mm

Performance

Item	Description
Contact resistance	≤20m
Insulation resistance	≥500m
Operating temperature	-40 ° C - + 70 ° C
Durability	750 Mating Cycles



Technical data

Product code	Product name	Description	Weight	Items per packaging unit
			g	
YMJB01869	UC C500 MJ TF S V7	Cat6A (Solid) FTP Keystone Jack 90° Tool-less in Silver	20	1 or 24

Related Products

YPPBP00298	UC C500 PP S BK 24 V1	1U 24port FTP Cat6A Keystone Panel, Rear Management in Black	720	1 or 15
YPPBP00299	UC C500 PP VP S BK 24	1U 24port FTP Cat6A Angled Keystone Panel, Rear Management in Black	720	1 or 15
YPPBP00300	UC C500 PP HP S BK 24	1U 24port FTP Cat6A ½U Keystone Panel, Rear Management in Stainless Steel	720	1 or 15
YPPBP01529	UC C500 PP AJ S BK 24	1U 24port FTP Cat6A Flat - Angled Keystone Panel in Black	720	1 or 15
YAABP00127	UC CACC AA 01 EU	Angled Single Port Adaptor 25 X 50	8	1 or 50
YAABP01691	UC CACC AA 01 6C V1	LJ6C Angled Single Adaptor 38 x 25	8	1 or 50
YMABP00123	UC CACC MA 01 EU	Flat Single Adaptor 25 x 50	8	1 or 50
YPMAP01842	UC CACC MA 01 6C V1	LJ6C Flat Single Adaptor 38 X 25	8	1 or 50