

UC CACC PP S BK 48 1U

19" 2U 48P FTP Keystone Panel, Empty , 180°

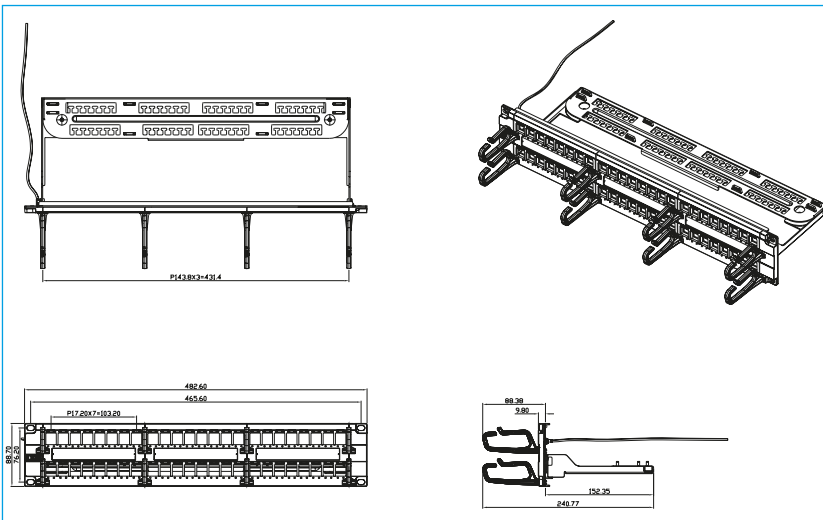
3.4. Patch Panels

Specification

Item	Description
Front Cover	ABS + PC
Frame	SPCC with black painting
Rear cable management	SPCC
Dimension	(H×W) 3.5"×19"



- 19" 2U 48P Shielded Patch Panel, Empty
- Available in Black
- Rear cable management as standard
- Also available as UC^{Precon} pre-terminated cabling solution



Technical data

Product code	Product name	Description	Weight	Items per packaging unit
			g	
YPPBP00347	UC CACC PP S BK 48 1U	19" 2U 48P FTP Keystone Panel, Empty , 180°	720	1

Related Products

YMJB00338	UC C400 MJ TR S V1	Keystone Jack Cat.6 RJ45 FTP 180° Tool Fast Shielded	9.1	1
YMJB00336*	UC C300 MJ TS S	Keystone Jack Cat.5e RJ45 FTP 180° Tool Fast Shielded	9.3	1
YMJB00340*	UC C500 MJ TR S V5	Keystone Jack Cat.6a RJ45FTP 180° Tool Fast Shielded	9.3	1
YMJB01851*	UC C500 MJ TF S V6	Keystone Jack Cat.6a RJ45 FTP 180° Tool Free Shielded	9.3	1

*Only Available in Turkey and Asia