

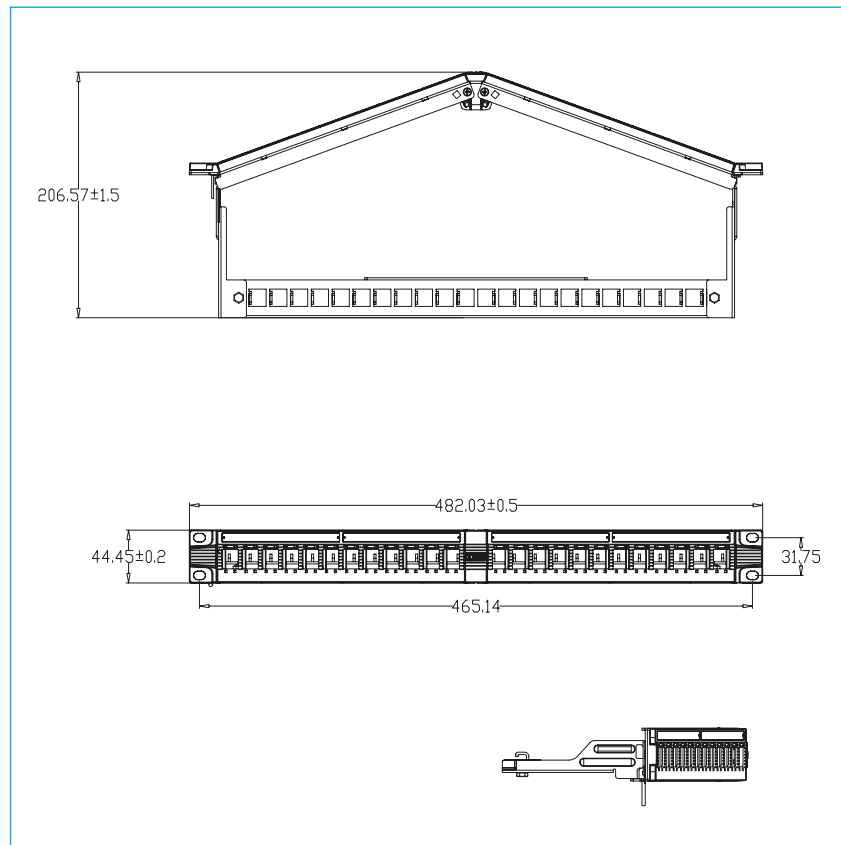
1.4. Patchpanels

UC CACC PP U BK 24 1U
19" Angled Unshielded Empty Patch Panel

- 19" Angled Empty Patch Panel
- Unshielded design
- Angled designed for better patch lead management
- Available in Black
- Rear cable management as standard
- Also available as UC^{Precon} pre-terminated cabling solution

Specification

| Item | Description |
|------------------------------|------------------------|
| Front Cover | ABS + PC |
| Rear Cable Management | SPCC |
| Frame | SPCC wth Nickel plated |
| Dimension | (H x W) 1.75" x 19" |



Technical data

| Product code | Product name | Description | Weight | Items per packaging unit |
|-------------------|-----------------------|---|--------|--------------------------|
| | | | g | |
| YPPBP00345 | UC CACC PP U BK 24 1U | 19" 1U 24P UTP Angled Keystone Panel Empty 180° Foldable patented | 525 | 1 |

Related Products

| | | | | |
|--------------------|-----------------------|---|-----|---|
| YMJBPO0335 | UC C300 MJ TS U BU | Keystone Jack Cat.5e RJ45 UTP 180° Tool Fast Blue | 9.1 | 1 |
| YMJBPO1566 | UC C300 MJ TF U BK V1 | Keystone Jack Cat.5e RJ45UTP 180° Tool Free Black | 9.1 | 1 |
| YMJBPO1564 | UC C300 MJ TR U BK V1 | Keystone Jack Cat.5e RJ45 UTP 180° Punchdown Black | 9.1 | 1 |
| YMJBPO0337 | UC C400 MJ TR U BU V1 | Keystone Jack Cat.6 RJ45 UTP 180° Tool Fast Blue | 9.1 | 1 |
| YMJBPO1570 | UC C400 MJ TF U BK V1 | Keystone Jack Cat.6 RJ45 UTP 180° Tool Free Solid Black | 9.1 | 1 |
| YMJBPO1568 | UC C400 MJ TR U BK V1 | Keystone Jack Cat.6 RJ45 UTP 180° Punch-down Black | 9.1 | 1 |
| YMJBPO1571* | UC C500 MJ TF U WH | Keystone Jack, Cat.6a, RJ45, UTP, 180° Tool Free, White | 9.1 | 1 |

*Only Available in Asia