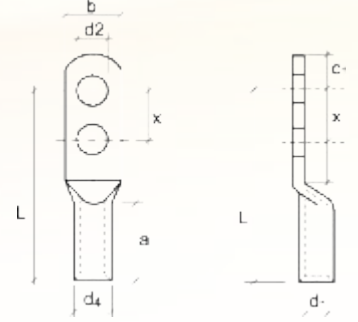


SKP-C ÇİFT DELİKLİ SIKMALI KABLO PABUCU

TUBULAR CABLE LUGS WITH TWO CONNECTION HOLES



*5846 sayılı yasa gereği fotoğrafların izinsiz yayınlanması ve kullanılması kesinlikle yasaktır.



ÜRÜN KODU Order Code	KABLO KESİTİ Cable Section (mm ²)	CIVATA DELİĞİ Bolt	BOYUTLAR Dimensions								KUTU ADEDİ Box Pcs.	KUTU AĞIRLIĞI Box Weight	BİRİM FİYATI Unit Price TL
			d1	d4	a	d2	b	c1	x	L			
SKP-C/016-M06/X16	16	M6	5,5	8,5	20,0	6,4	12,0	10,0	16,0	53,0	150	~2,3 kg.	2,65
SKP-C/016-M06/X25		M6	5,5	8,5	20,0	7,0	12,0	10,0	25,0	62,0	150		3,15
SKP-C/025-M06/X16	25	M6	7,0	10,0	20,0	6,4	14,0	10,0	16,0	54,0	100	~2,1 kg.	3,25
SKP-C/025-M06/X25		M6	7,0	10,0	20,0	7,0	14,0	10,0	25,0	63,0	100		4,00
SKP-C/025-M08/X16		M8	7,0	10,0	20,0	8,5	14,0	10,0	16,0	54,0	100		3,25
SKP-C/025-M08/X25		M8	7,0	10,0	20,0	8,5	14,0	10,0	25,0	63,0	100		4,00
SKP-C/035-M08/X16	35	M8	8,5	12,0	20,0	8,5	18,0	10,0	16,0	62,0	80	~2,9 kg.	5,50
SKP-C/035-M08/X25		M8	8,5	12,0	20,0	8,5	18,0	10,0	25,0	71,0	80		5,75
SKP-C/035-M08/X40		M8	8,5	12,0	20,0	8,5	18,0	10,0	40,0	86,0	70		6,75
SKP-C/035-M10/X25		M10	8,5	12,0	20,0	10,5	18,0	10,0	25,0	71,0	80		5,75
SKP-C/035-M10/X40		M10	8,5	12,0	20,0	10,5	18,0	10,0	40,0	86,0	70		6,75
SKP-C/050-M06/X25	50	M6	10,0	14,0	28,0	6,5	21,0	10,0	25,0	69,0	50	~2,8 kg.	10,00
SKP-C/050-M06/X40		M6	10,0	14,0	28,0	6,5	21,0	10,0	40,0	84,0	50		11,50
SKP-C/050-M08/X25		M8	10,0	14,0	28,0	8,5	21,0	10,0	25,0	69,0	50		10,00
SKP-C/050-M08/X40		M8	10,0	14,0	28,0	8,5	21,0	10,0	40,0	84,0	50		11,50
SKP-C/050-M10/X25		M10	10,0	14,0	28,0	10,5	21,0	16,0	25,0	75,0	50		10,00
SKP-C/050-M10/X40		M10	10,0	14,0	28,0	10,5	21,0	16,0	40,0	90,0	50		11,50
SKP-C/050-M12/X25		M12	10,0	14,0	28,0	13,0	23,0	16,0	25,0	75,0	50		10,00
SKP-C/050-M12/X40	M12	10,0	14,0	28,0	13,0	23,0	16,0	40,0	90,0	50	11,50		
SKP-C/070-M08/X25	70	M8	12,0	16,5	28,0	8,5	23,0	10,0	25,0	76,0	40	~3,2 kg.	11,50
SKP-C/070-M08/X40		M8	12,0	16,5	28,0	8,5	23,0	10,0	40,0	91,0	40		13,50
SKP-C/070-M10/X25		M10	12,0	16,5	28,0	10,5	23,0	16,0	25,0	82,0	40		11,50
SKP-C/070-M10/X40		M10	12,0	16,5	28,0	10,5	23,0	16,0	40,0	97,0	40		13,50
SKP-C/070-M12/X25		M12	12,0	16,5	28,0	13,0	23,0	16,0	25,0	76,0	40		11,50
SKP-C/070-M12/X40		M12	12,0	16,5	28,0	13,0	23,0	16,0	40,0	91,0	40		13,50
SKP-C/070-M12/X45		M12	12,0	16,5	28,0	13,0	23,0	16,0	45,0	96,0	40		13,75
SKP-C/070-M12/X60		M12	12,0	16,5	28,0	13,0	23,0	16,0	60,0	111,0	40		15,75
SKP-C/095-M10/X25	95	M10	13,5	18,0	35,0	10,5	26,0	16,0	25,0	87,0	25	~2,4 kg.	13,50
SKP-C/095-M10/X40		M10	13,5	18,0	35,0	10,5	26,0	16,0	40,0	102,0	25		15,00
SKP-C/095-M12/X25		M12	13,5	18,0	35,0	13,0	26,0	16,0	25,0	87,0	25		13,50
SKP-C/095-M12/X40		M12	13,5	18,0	35,0	13,0	26,0	16,0	40,0	102,0	25		15,00
SKP-C/095-M12/X45		M12	13,5	18,0	35,0	13,0	26,0	16,0	45,0	107,0	25		15,00
SKP-C/095-M12/X60		M12	13,5	18,0	35,0	13,0	26,0	16,0	60,0	122,0	25		16,50

ÜRÜN KODU Order Code	KABLO KESİTİ Cable Section (mm ²)	CIVATA DELİĞİ Bolt	BOYUTLAR Dimensions								KUTU ADEĐİ Box Pcs.	KUTU AĞIRLIĐI Box Weight	BİRİM FİYATI Unit Price TL
			d1	d4	a	d2	b	c1	x	L			
SKP-C/120-M12/X25	120	M12	15,0	19,5	35,0	13,0	28,0	16,0	25,0	87,0	25	~2,6 kg.	14,25
SKP-C/120-M12/X40		M12	15,0	19,5	35,0	13,0	28,0	16,0	40,0	102,0	25	~3,1 kg.	15,50
SKP-C/120-M12/X45		M12	15,0	19,5	35,0	13,0	28,0	16,0	45,0	107,0	25		16,25
SKP-C/120-M12/X60		M12	15,0	19,5	35,0	13,0	28,0	16,0	60,0	122,0	25		17,50
SKP-C/120-M16/X40		M16	15,0	19,5	35,0	17,0	28,0	19,0	40,0	105,0	25		15,50
SKP-C/120-M16/X50		M16	15,0	19,5	35,0	17,0	28,0	19,0	50,0	115,0	25		17,00
SKP-C/150-M12/X25	150	M12	16,5	21,0	35,0	13,0	31,0	16,0	25,0	90,0	20	~2,3 kg.	15,75
SKP-C/150-M12/X40		M12	16,5	21,0	35,0	13,0	31,0	16,0	40,0	105,0	20		17,00
SKP-C/150-M12/X45		M12	16,5	21,0	35,0	13,0	31,0	16,0	45,0	110,0	20		17,25
SKP-C/150-M12/X50		M12	16,5	21,0	35,0	13,0	31,0	16,0	50,0	115,0	20	~2,8 kg.	17,50
SKP-C/150-M12/X60		M12	16,5	21,0	35,0	13,0	31,0	16,0	60,0	125,0	20		19,75
SKP-C/150-M16/X40		M16	16,5	21,0	35,0	17,0	31,0	19,0	40,0	108,0	20		17,00
SKP-C/150-M16/X50	M16	16,5	21,0	35,0	17,0	31,0	19,0	50,0	118,0	20		17,50	
SKP-C/185-M12/X25	185	M12	19,0	24,0	40,0	13,0	35,0	16,0	25,0	96,0	12	~1,9 kg.	20,00
SKP-C/185-M12/X40		M12	19,0	24,0	40,0	13,0	35,0	16,0	40,0	111,0	12	~2,4 kg.	21,50
SKP-C/185-M12/X45		M12	19,0	24,0	40,0	13,0	35,0	16,0	45,0	116,0	12		22,50
SKP-C/185-M12/X50		M12	19,0	24,0	40,0	13,0	35,0	16,0	50,0	121,0	12		23,25
SKP-C/185-M12/X60		M12	19,0	24,0	40,0	13,0	35,0	16,0	60,0	131,0	12		25,00
SKP-C/185-M16/X40		M16	19,0	24,0	40,0	17,0	35,0	19,0	40,0	114,0	12		22,50
SKP-C/185-M16/X50	M16	19,0	24,0	40,0	17,0	35,0	19,0	50,0	124,0	12		24,25	
SKP-C/240-M12/X25	240	M12	21,0	26,0	40,0	13,0	38,0	16,0	25,0	97,0	12	~2,1 kg.	28,00
SKP-C/240-M12/X40		M12	21,0	26,0	40,0	13,0	38,0	16,0	40,0	112,0	12		29,75
SKP-C/240-M12/X45		M12	21,0	26,0	40,0	13,0	38,0	16,0	45,0	117,0	12		30,25
SKP-C/240-M12/X50		M12	21,0	26,0	40,0	13,0	38,0	16,0	50,0	122,0	12		30,75
SKP-C/240-M12/X60		M12	21,0	26,0	40,0	13,0	38,0	16,0	60,0	132,0	12		31,25
SKP-C/240-M16/X40		M16	21,0	26,0	40,0	17,0	38,0	19,0	40,0	115,0	12		30,25
SKP-C/240-M16/X50	M16	21,0	26,0	40,0	17,0	38,0	19,0	50,0	125,0	12		30,75	

Talep edilmesi durumunda 45 ve 90 derece üretimimiz bulunmaktadır.
Upon request, it is available in 45 & 95 degrees.



SKP-C Özellikleri

Ham madde Material	: EN 13600 Bakır Boru Electrolytic Copper Conformed To EN 13600
Kaplama Coating	: Kalay Tin Plated
Bağlantı Joint	: Sıkma Clamp Coupling
Boru Et Kalınlığı Thickness	: Çok Kalın Very Thick
Kablo Girişi Cable Entry	: Uzun Long

