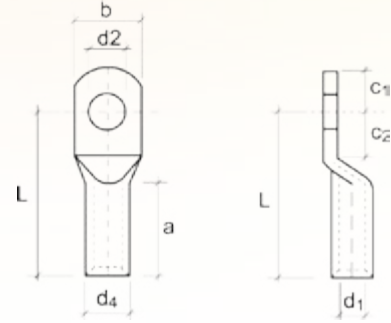


SKP-E

EKONOMİK TİP SIKMALI KABLO PABUCU ECONOMIC TYPE TUBULAR CABLE LUGS (TAM BOYLARI STANDART TİP KABLO PABUÇLARI ÖLÇÜSÜNDEDİR.)



*5846 sayılı yasa gereği fotoğrafların izinsiz yayınlanması ve kullanılması kesinlikle yasaktır.

| ÜRÜN KODU Order Code | KABLO KESİTİ Cable Section (mm ²) | CIVATA DELİĞİ Bolt | BOYUTLAR Dimensions | | | | | | | | KUTU ADEDİ Box Pcs. | KUTU AĞIRLIĞI Box Weight | KOLİ ADEDİ Parcel Pcs. | KOLİ AĞIRLIĞI Box Weight | BİRİM FİYATI Unit Price TL |
|-------------------------|--|-----------------------|------------------------|------|------|------|------|------|------|------|------------------------|-----------------------------|---------------------------|-----------------------------|-------------------------------|
| | | | d1 | d4 | a | d2 | b | c1 | c2 | L | | | | | |
| SKP-E/016-M05 | 16 | M5 | 5,5 | 7,0 | 12,5 | 5,5 | 10,5 | 7,5 | 7,5 | 24,0 | 500 | ~2,0 kg. | 5.000 | ~ 20 kg. | 0,48 |
| SKP-E/016-M06/SD | | M6 | 5,5 | 7,0 | 12,5 | 6,5 | 10,5 | 7,5 | 7,5 | 24,0 | 500 | ~2,0 kg. | 5.000 | ~ 20 kg. | 0,42 |
| SKP-E/025-M05 | 25 | M5 | 7,0 | 9,0 | 17,5 | 5,5 | 14,0 | 8,5 | 8,5 | 30,5 | 300 | ~2,4 kg. | 3.000 | ~ 24 kg. | 0,95 |
| SKP-E/025-M06 | | M6 | 7,0 | 9,0 | 17,5 | 6,5 | 14,0 | 8,5 | 8,5 | 30,5 | 300 | ~2,4 kg. | 3.000 | ~ 24 kg. | 0,95 |
| SKP-E/025-M08/SD | | M8 | 7,0 | 9,0 | 17,5 | 8,5 | 14,0 | 8,5 | 8,5 | 30,5 | 300 | ~2,4 kg. | 3.000 | ~ 24 kg. | 0,85 |
| SKP-E/035-M06 | 35 | M6 | 8,5 | 10,5 | 18,5 | 6,5 | 15,5 | 9,5 | 9,5 | 34,0 | 200 | ~2,2 kg. | 2.000 | ~ 22 kg. | 1,40 |
| SKP-E/035-M08/SD | | M8 | 8,5 | 10,5 | 18,5 | 8,5 | 15,5 | 9,5 | 9,5 | 34,0 | 200 | ~2,2 kg. | 2.000 | ~ 22 kg. | 1,35 |
| SKP-E/050-M06 | 50 | M6 | 10,0 | 12,0 | 20,0 | 6,5 | 18,0 | 11,0 | 11,0 | 39,5 | 125 | ~1,8 kg. | 1.250 | ~ 18 kg. | 1,70 |
| SKP-E/050-M08 | | M8 | 10,0 | 12,0 | 20,0 | 8,5 | 18,0 | 11,0 | 11,0 | 39,5 | 125 | ~1,9 kg. | 1.250 | ~ 19 kg. | 1,70 |
| SKP-E/050-M10/SD | | M10 | 10,0 | 12,0 | 20,0 | 10,5 | 18,0 | 11,0 | 11,0 | 39,5 | 125 | ~1,8 kg. | 1.250 | ~ 18 kg. | 1,58 |
| SKP-E/070-M06 | 70 | M6 | 11,5 | 14,0 | 22,0 | 6,5 | 21,0 | 11,0 | 11,0 | 42,0 | 80 | ~1,7 kg. | 800 | ~ 17 kg. | 2,65 |
| SKP-E/070-M08 | | M8 | 11,5 | 14,0 | 22,0 | 8,5 | 21,0 | 11,0 | 11,0 | 42,0 | 80 | ~1,7 kg. | 800 | ~ 17 kg. | 2,65 |
| SKP-E/070-M10/SD | | M10 | 11,5 | 14,0 | 22,0 | 10,5 | 21,0 | 11,0 | 11,0 | 42,0 | 80 | ~1,7 kg. | 800 | ~ 17 kg. | 2,50 |
| SKP-E/095-M08 | 95 | M8 | 13,5 | 16,0 | 25,0 | 8,5 | 24,5 | 12,0 | 12,5 | 48,0 | 60 | ~1,8 kg. | 600 | ~ 18 kg. | 3,25 |
| SKP-E/095-M10 | | M10 | 13,5 | 16,0 | 25,0 | 10,5 | 24,5 | 12,0 | 12,5 | 48,0 | 60 | ~1,9 kg. | 600 | ~ 19 kg. | 3,10 |
| SKP-E/095-M12/SD | | M12 | 13,5 | 16,0 | 25,0 | 13,0 | 24,5 | 12,0 | 12,5 | 48,0 | 60 | ~1,8 kg. | 600 | ~ 18 kg. | 3,10 |
| SKP-E/120-M08 | 120 | M8 | 15,5 | 18,0 | 27,0 | 8,5 | 27,0 | 14,0 | 14,0 | 52,0 | 50 | ~1,8 kg. | 500 | ~ 18 kg. | 4,15 |
| SKP-E/120-M10 | | M10 | 15,5 | 18,0 | 27,0 | 10,5 | 27,0 | 14,0 | 14,0 | 52,0 | 50 | ~1,8 kg. | 500 | ~ 18 kg. | 4,15 |
| SKP-E/120-M12/SD | | M12 | 15,5 | 18,0 | 27,0 | 13,0 | 27,0 | 14,0 | 14,0 | 52,0 | 50 | ~1,8 kg. | 500 | ~ 18 kg. | 3,90 |
| SKP-E/150-M08 | 150 | M8 | 16,5 | 20,0 | 29,0 | 8,5 | 29,0 | 14,0 | 14,0 | 54,5 | 35 | ~2,0 kg. | 350 | ~ 20 kg. | 6,60 |
| SKP-E/150-M10 | | M10 | 16,5 | 20,0 | 29,0 | 10,5 | 29,0 | 14,0 | 14,0 | 54,5 | 35 | ~2,0 kg. | 350 | ~ 20 kg. | 6,60 |
| SKP-E/150-M12/SD | | M12 | 16,5 | 20,0 | 29,0 | 13,0 | 29,0 | 14,0 | 14,0 | 54,5 | 35 | ~2,0 kg. | 350 | ~ 20 kg. | 6,25 |
| SKP-E/185-M10 | 185 | M10 | 18,5 | 22,0 | 32,0 | 10,5 | 32,0 | 14,5 | 14,5 | 61,5 | 25 | ~1,8 kg. | 250 | ~ 18 kg. | 7,50 |
| SKP-E/185-M12/SD | | M12 | 18,5 | 22,0 | 32,0 | 13,0 | 32,0 | 14,5 | 14,5 | 61,5 | 25 | ~1,8 kg. | 250 | ~ 18 kg. | 7,00 |
| SKP-E/240-M10 | 240 | M10 | 21,5 | 25,5 | 36,5 | 10,5 | 37,5 | 16,0 | 16,0 | 69,0 | 20 | ~2,2 kg. | 200 | ~ 22 kg. | 10,00 |
| SKP-E/240-M12/SD | | M12 | 21,5 | 25,5 | 36,5 | 13,0 | 37,5 | 16,0 | 16,0 | 69,0 | 20 | ~2,2 kg. | 200 | ~ 22 kg. | 10,00 |

SKP-E Özellikleri

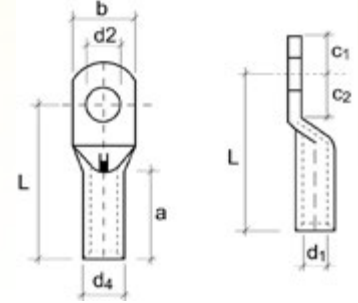
| | |
|-------------------|---|
| Hammadde | : EN 13600 Bakır Boru |
| Material | : Electrolytic Copper Conformed To EN 13600 |
| Kaplama | : Kalay |
| Coating | : Tin Plated |
| Bağlantı | : Sıkma |
| Joint | : Clamp Coupling |
| Boru Et Kalınlığı | : Orta |
| Thickness | : Medium |
| Kablo Girişi | : Normal |
| Cable Entry | : Standard |



Bu tabloda koyu yazı karakteri ile belirtilmiş olan kablo pabuçları standart üretimimizdir.
The cable lugs which are indicated in bold font, are standart products of **Simpa**

SKP-S/GD

GÖZLEM DELİKLİ SIKMALI KABLO PABUCU TUBULAR CABLE LUGS WITH INSPECTION HOLE



*5846 sayılı yasa gereği fotoğrafların izinsiz yayınlanması ve kullanılması kesinlikle yasaktır.

| ÜRÜN KODU Order Code | KABLO KESİTİ Cable Section (mm ²) | CIVATA DELİĞİ Bolt | BOYUTLAR Dimensions | | | | | | | | | KUTU ADEDİ Box Pcs. | KUTU AĞIRLIĞI Box Weight | KOLİ ADEDİ Parcel Pcs. | KOLİ AĞIRLIĞI Box Weight | BİRİM FİYATI Unit Price TL |
|-------------------------|--|-----------------------|------------------------|------|------|------|------|------|------|------|-----|------------------------|-----------------------------|---------------------------|-----------------------------|-------------------------------|
| | | | d1 | d4 | a | d2 | b | c1 | c2 | L | | | | | | |
| SKP-S/GD/016-M06/SD | 16 | M06 | 5,5 | 7,5 | 12,5 | 6,5 | 12,0 | 7,5 | 7,5 | 24,0 | 400 | ~2,0 kg. | 3.200 | ~16,0 kg | 0,80 | |
| SKP-S/GD/025-M08/SD | 25 | M08 | 7,0 | 9,5 | 17,5 | 8,5 | 14,0 | 8,5 | 8,5 | 30,5 | 300 | ~2,5 kg. | 2.400 | ~20,0 kg | 1,30 | |
| SKP-S/GD/035-M08/SD | 35 | M08 | 8,5 | 11,0 | 19,0 | 8,5 | 16,5 | 9,5 | 9,5 | 34,5 | 200 | ~2,6 kg. | 1.600 | ~20,8 kg | 1,70 | |
| SKP-S/GD/050-M10/SD | 50 | M10 | 10,0 | 13,0 | 20,0 | 10,5 | 19,0 | 11,0 | 11,0 | 39,5 | 125 | ~2,6 kg. | 1.000 | ~20,8 kg | 2,75 | |
| SKP-S/GD/070-M10/SD | 70 | M10 | 11,5 | 14,5 | 21,5 | 10,5 | 21,0 | 11,0 | 11,0 | 41,5 | 80 | ~2,1 kg. | 640 | ~16,8 kg | 3,75 | |
| SKP-S/GD/095-M12/SD | 95 | M12 | 13,5 | 16,5 | 25,0 | 13,0 | 24,0 | 12,5 | 12,5 | 48,0 | 60 | ~1,9 kg. | 480 | ~15,2 kg | 4,00 | |
| SKP-S/GD/120-M12/SD | 120 | M12 | 14,5 | 18,0 | 27,0 | 13,0 | 26,5 | 14,0 | 14,0 | 52,0 | 50 | ~2,4 kg. | 400 | ~19,2 kg | 5,75 | |
| SKP-S/GD/150-M12/SD | 150 | M12 | 16,5 | 21,0 | 29,0 | 13,0 | 30,5 | 15,0 | 15,0 | 57,0 | 30 | ~2,4 kg. | 240 | ~19,2 kg | 8,75 | |
| SKP-S/GD/185-M12/SD | 185 | M12 | 18,5 | 23,0 | 33,0 | 13,0 | 33,5 | 16,0 | 16,0 | 63,0 | 20 | ~1,9 kg. | 160 | ~15,2 kg | 10,50 | |
| SKP-S/GD/240-M12/SD | 240 | M12 | 21,0 | 26,0 | 37,0 | 13,0 | 38,0 | 16,5 | 16,5 | 70,0 | 20 | ~2,7 kg. | 160 | ~21,6 kg | 14,25 | |

SKP-S/DG Özellikleri

| | |
|-------------------|---|
| Hammadde | : EN 13600 Bakır Boru |
| Material | : Electrolytic Copper Conformed To EN 13600 |
| Kaplama | : Kalay |
| Coating | : Tin Plated |
| Bağlantı | : Sıkma |
| Joint | : Clamp Coupling |
| Boru Et Kalınlığı | : Kalın |
| Thickness | : Thick |
| Kablo Girişi | : Normal |
| Cable Entry | : Standard |

