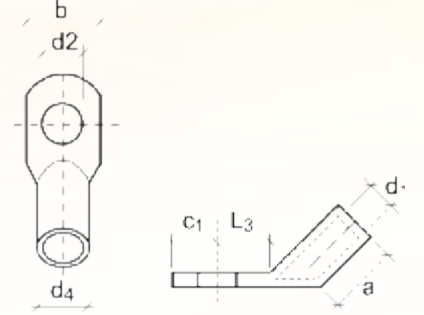


# SKP-L45-S1 45° AÇILI EUROPE TİP (S1) KABLO PABUCU

## EUROPE TYPE (S1) 45° ANGULAR CABLE LUGS



\*5846 sayılı yasa gereği fotoğrafların izinsiz yayınlanması ve kullanılması kesinlikle yasaktır.



ÜRÜN KODU Order Code	KABLO KESİTİ Cable Section (mm <sup>2</sup> )	CIVATA DELİĞİ Bolt	BOYUTLAR Dimensions							KUTU ADEDİ Box Pcs.	KUTU AĞIRLIĞI Box Weight	KOLİ ADEDİ Parcel Pcs.	KOLİ AĞIRLIĞI Box Weight	BİRİM FİYATI Unit Price TL
			d1	d4	a	d2	b	c1	L3					
SKP-L45-S1/006-M05	6	M5	3,5	6,5	9,0	5,5	10,0	7,5	9,0	600	~3,6 kg.	3.600	~21,6 kg	0,88
SKP-L45-S1/006-M06		M6	3,5	6,5	9,0	6,5	12,0	7,5	10,0	600	~3,7 kg.	3.600	~22,2 kg	0,88
SKP-L45-S1/006-M08		M8	3,5	6,5	9,0	8,5	14,0	10,0	13,0	600	~3,8 kg.	3.600	~22,8 kg	1,00
SKP-L45-S1/010-M05	10	M5	4,5	7,5	10,0	5,5	12,0	6,5	10,0	500	~2,4 kg.	3.000	~14,4 kg	1,00
SKP-L45-S1/010-M06		M6	4,5	7,5	10,0	6,5	12,0	6,5	10,0	500	~2,8 kg.	3.000	~16,8 kg	1,00
SKP-L45-S1/010-M08		M8	4,5	7,5	10,0	8,5	15,0	10,0	13,0	400	~3,6 kg.	2.400	~21,6 kg	1,05
SKP-L45-S1/016-M05	16	M5	5,5	8,5	13,0	5,5	12,0	7,5	10,0	300	~3,1 kg.	1.800	~18,6 kg	1,70
SKP-L45-S1/016-M06		M6	5,5	8,5	13,0	6,5	12,0	7,5	11,0	300	~3,1 kg.	1.800	~18,6 kg	1,70
SKP-L45-S1/016-M08		M8	5,5	8,5	13,0	8,5	15,0	10,0	13,0	250	~2,9 kg.	1.500	~17,4 kg	1,70
SKP-L45-S1/016-M10		M10	5,5	8,5	13,0	10,5	17,0	12,0	15,0	200	~3,2 kg.	1.200	~19,2 kg	2,00
SKP-L45-S1/025-M05	25	M5	7,0	10,0	15,0	5,5	14,0	7,5	11,0	200	~3,9 kg.	1.200	~23,4 kg	2,40
SKP-L45-S1/025-M06		M6	7,0	10,0	15,0	6,5	14,0	7,5	11,0	200	~2,8 kg.	1.200	~16,8 kg	2,40
SKP-L45-S1/025-M08		M8	7,0	10,0	15,0	8,5	16,0	10,0	13,0	200	~3,0 kg.	1.200	~18,0 kg	2,40
SKP-L45-S1/025-M10		M10	7,0	10,0	15,0	10,5	18,0	12,0	15,0	150	~2,5 kg.	900	~15,0 kg	2,65
SKP-L45-S1/025-M12		M12	7,0	10,0	15,0	13,0	19,0	13,0	18,0	150	~2,5 kg.	900	~15,0 kg	2,85
SKP-L45-S1/035-M06	35	M6	8,5	12,0	17,0	6,5	17,0	7,5	11,0	125	~3,0 kg.	750	~18,0 kg	3,50
SKP-L45-S1/035-M08		M8	8,5	12,0	17,0	8,5	17,0	10,0	13,0	125	~3,0 kg.	750	~18,0 kg	3,50
SKP-L45-S1/035-M10		M10	8,5	12,0	17,0	10,5	19,0	12,0	15,0	100	~2,5 kg.	600	~15,0 kg	4,15
SKP-L45-S1/035-M12		M12	8,5	12,0	17,0	13,0	21,0	13,0	18,0	80	~2,4 kg.	480	~14,4 kg	4,40
SKP-L45-S1/050-M06	50	M6	10,0	14,0	19,0	6,5	20,0	10,0	13,0	80	~2,9 kg.	480	~17,4 kg	5,40
SKP-L45-S1/050-M08		M8	10,0	14,0	19,0	8,5	20,0	10,0	13,0	80	~2,9 kg.	480	~17,4 kg	5,40
SKP-L45-S1/050-M10		M10	10,0	14,0	19,0	10,5	20,0	12,0	16,0	80	~3,0 kg.	480	~18,0 kg	5,50
SKP-L45-S1/050-M12		M12	10,0	14,0	19,0	13,0	23,0	13,0	18,0	70	~3,0 kg.	420	~18,0 kg	5,50
SKP-L45-S1/070-M06	70	M6	12,0	16,5	21,0	6,5	23,0	10,0	13,0	60	~3,2 kg.	360	~19,2 kg	6,50
SKP-L45-S1/070-M08		M8	12,0	16,5	21,0	8,5	23,0	10,0	14,0	60	~3,0 kg.	360	~18,0 kg	6,50
SKP-L45-S1/070-M10		M10	12,0	16,5	21,0	10,5	23,0	12,0	16,0	60	~3,2 kg.	360	~19,2 kg	6,50
SKP-L45-S1/070-M12		M12	12,0	16,5	21,0	13,0	23,0	13,0	18,0	50	~2,7 kg.	300	~16,2 kg	6,75
SKP-L45-S1/095-M08	95	M8	13,5	18,0	25,0	8,5	26,0	12,0	14,0	40	~2,5 kg.	240	~15,0 kg	8,00
SKP-L45-S1/095-M10		M10	13,5	18,0	25,0	10,5	26,0	12,0	17,0	40	~2,6 kg.	240	~15,6 kg	8,00
SKP-L45-S1/095-M12		M12	13,5	18,0	25,0	13,0	26,0	13,0	18,0	40	~2,8 kg.	240	~16,8 kg	8,00
SKP-L45-S1/095-M16		M16	13,5	18,0	25,0	17,0	28,0	16,0	22,0	40	~2,8 kg.	240	~16,8 kg	8,50

ÜRÜN KODU Order Code	KABLO KESİTİ Cable Section (mm <sup>2</sup> )	CIVATA DELİĞİ Bolt	BOYUTLAR Dimensions							KUTU ADEDİ Box Pcs.	KUTU AĞIRLIĞI Box Weight	KOLİ ADEDİ Parcel Pcs.	KOLİ AĞIRLIĞI Box Weight	BİRİM FİYATI Unit Price TL
			d1	d4	a	d2	b	c1	L3					
SKP-L45-S1/120-M08	120	M8	15,0	19,5	26,0	8,5	28,0	14,0	16,0	30	~2,3 kg.	180	~13,8 kg	9,70
SKP-L45-S1/120-M10		M10	15,0	19,5	26,0	10,5	28,0	14,0	17,0	30	~2,3 kg.	180	~13,8 kg	9,70
SKP-L45-S1/120-M12		M12	15,0	19,5	26,0	13,0	28,0	14,0	18,0	30	~2,3 kg.	180	~13,8 kg	9,40
SKP-L45-S1/120-M16		M16	15,0	19,5	26,0	17,0	30,0	16,0	22,0	30	~2,2 kg.	180	~13,2 kg	10,00
SKP-L45-S1/150-M08	150	M8	16,5	21,0	30,0	8,5	31,0	14,0	16,0	25	~2,4 kg.	150	~14,4 kg	11,25
SKP-L45-S1/150-M10		M10	16,5	21,0	30,0	10,5	31,0	14,0	17,0	25	~2,2 kg.	150	~13,2 kg	11,25
SKP-L45-S1/150-M12		M12	16,5	21,0	30,0	13,0	31,0	15,0	18,0	25	~2,4 kg.	150	~14,4 kg	11,25
SKP-L45-S1/150-M16		M16	16,5	21,0	30,0	17,0	31,0	16,0	22,0	25	~2,3 kg.	150	~13,8 kg	11,25
SKP-L45-S1/150-M20	M20	16,5	21,0	30,0	21,0	36,0	22,0	24,0	25	~2,2 kg.	150	~13,2 kg	12,50	
SKP-L45-S1/185-M10	185	M10	19,0	24,0	30,0	10,5	35,0	18,0	22,0	20	~2,7 kg.	120	~16,2 kg	16,25
SKP-L45-S1/185-M12		M12	19,0	24,0	30,0	13,0	35,0	18,0	22,0	20	~2,7 kg.	120	~16,2 kg	16,25
SKP-L45-S1/185-M16		M16	19,0	24,0	30,0	17,0	35,0	18,0	22,0	20	~2,4 kg.	120	~14,4 kg	16,25
SKP-L45-S1/185-M20		M20	19,0	24,0	30,0	21,0	39,0	22,0	24,0	20	~2,4 kg.	120	~14,4 kg	17,50
SKP-L45-S1/240-M10	240	M10	21,0	26,0	35,0	10,5	39,0	21,5	22,0	15	~2,4 kg.	90	~14,4 kg	18,75
SKP-L45-S1/240-M12		M12	21,0	26,0	35,0	13,0	39,0	21,5	22,0	15	~2,5 kg.	90	~15,0 kg	18,75
SKP-L45-S1/240-M16		M16	21,0	26,0	35,0	17,0	39,0	21,5	22,0	15	~2,4 kg.	90	~14,4 kg	18,75
SKP-L45-S1/240-M20		M20	21,0	26,0	35,0	21,0	39,0	21,5	24,0	15	~2,3 kg.	90	~13,8 kg	19,00
SKP-L45-S1/300-M12	300	M12	23,5	29,5	44,0	13,0	43,0	24,0	24,0	8	~2,1 kg.	48	~12,6 kg	32,00
SKP-L45-S1/300-M16		M16	23,5	29,5	44,0	17,0	43,0	24,0	24,0	8	~2,1 kg.	48	~12,6 kg	32,00
SKP-L45-S1/300-M20		M20	23,5	29,5	44,0	21,0	43,0	24,0	24,0	8	~2,1 kg.	48	~12,6 kg	32,00
SKP-L45-S1/400-M12	400	M12	27,0	34,0	44,0	13,0	49,0	24,0	24,0	6	~2,1 kg.	36	~12,6 kg	44,00
SKP-L45-S1/400-M16		M16	27,0	34,0	44,0	17,0	49,0	24,0	24,0	6	~2,1 kg.	36	~12,6 kg	44,00
SKP-L45-S1/400-M20		M20	27,0	34,0	44,0	21,0	49,0	24,0	24,0	6	~2,0 kg.	36	~12,0 kg	44,00

### SKP-L45-S1 Özellikleri

Hammadde Material	: EN 13600 Bakır Boru Electrolytic Copper Conformed To EN 13600
Kaplama Coating	: Kalay Tin Plated
Bağlantı Joint	: Sıkma Clamp Coupling
Boru Et Kalınlığı Thickness	: Çok Kalın Very Thick
Kablo Girişi Cable Entry	: Uzun Long

