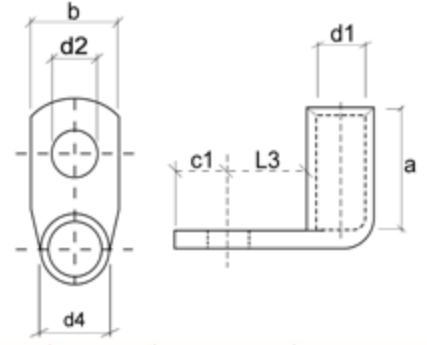


SKP-L90-S 90° AÇILI SIKMALI KABLO PABUCU

STANDART TİP (S)

STANDARD TYPE 90° TUBULAR CABLE LUGS

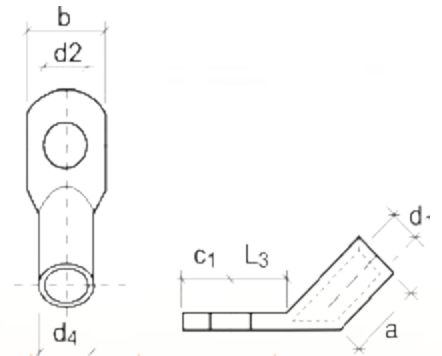


ÜRÜN KODU Order Code	KABLO KESİTİ Cable Section (mm ²)	CIVATA DELİĞİ Bolt	BOYUTLAR Dimensions							KUTU ADEDİ Box Pcs.	KUTU AĞIRLIĞI Box Weight	BİRİM FİYATI Unit Price TL
			d1	d4	a	d2	b	c1	L3			
SKP-L90-S/010-M05	10	M5	4,5	6,5	11,5	5,5	12,0	5,5	7,0	400	~1,9 kg	0,55
SKP-L90-S/016-M06	16	M6	5,5	7,5	13,0	6,5	12,0	5,5	6,5	300	~2,3 kg	0,80
SKP-L90-S/025-M08	25	M8	7,0	9,5	17,5	8,5	13,5	6,8	9,2	200	~2,6 kg	1,30
SKP-L90-S/035-M08	35	M8	8,5	11,0	20,0	8,5	16,0	8,3	9,7	100	~1,8 kg	1,75
SKP-L90-S/050-M10	50	M10	10,0	13,0	22,5	10,5	18,0	10,0	12,0	70	~2,1 kg	2,85
SKP-L90-S/070-M10	70	M10	11,5	14,5	24,0	10,5	21,5	10,0	12,0	50	~1,9 kg	4,00
SKP-L90-S/095-M12	95	M12	13,5	16,5	27,0	13,0	25,0	10,0	12,0	40	~1,9 kg	4,20
SKP-L90-S/120-M12	120	M12	14,5	18,0	30,0	13,0	29,0	13,0	14,5	30	~1,9 kg	6,00
SKP-L90-S/150-M12	150	M12	16,5	21,0	30,0	13,0	31,0	14,0	17,0	25	~2,2 kg	11,25
SKP-L90-S/185-M12	185	M12	18,5	23,0	34,5	13,0	37,0	17,0	18,0	20	~2,6 kg	13,75
SKP-L90-S/240-M12	240	M12	21,0	26,0	35,0	13,0	41,0	17,0	18,0	15	~2,4 kg	18,75

SKP-L45-S 45° AÇILI SIKMALI KABLO PABUCU

STANDART TİP (S)

STANDARD TYPE 45° TUBULAR CABLE LUGS



*5846 sayılı yasa gereği fotoğrafların izinsiz yayınlanması ve kullanılması kesinlikle yasaktır.

ÜRÜN KODU Order Code	KABLO KESİTİ Cable Section (mm ²)	CIVATA DELİĞİ Bolt	BOYUTLAR Dimensions							KUTU ADEDİ Box Pcs.	KUTU AĞIRLIĞI Box Weight	BİRİM FİYATI Unit Price TL
			d1	d4	a	d2	b	c1	L3			
SKP-L45-S/010-M05	10	M5	4,5	6,5	11,5	5,5	12,0	5,5	7,0	500	~1,9 kg	0,55
SKP-L45-S/016-M06	16	M6	5,5	7,5	13,0	6,5	12,0	5,5	6,5	300	~2,1 kg	0,80
SKP-L45-S/025-M08	25	M8	7,0	9,5	17,5	8,5	13,5	6,8	9,2	200	~2,5 kg	1,30
SKP-L45-S/035-M08	35	M8	8,5	11,0	20,0	8,5	16,0	8,3	9,7	125	~2,1 kg	1,75
SKP-L45-S/050-M10	50	M10	10,0	13,0	22,5	10,5	18,0	10,0	12,0	80	~2,2 kg	2,85
SKP-L45-S/070-M10	70	M10	11,5	14,5	24,0	10,5	21,5	10,0	12,0	60	~2,1 kg	4,00
SKP-L45-S/095-M12	95	M12	13,5	16,5	27,0	13,0	25,0	10,0	12,0	40	~1,9 kg	4,20
SKP-L45-S/120-M12	120	M12	14,5	18,0	30,0	13,0	29,0	13,0	14,5	30	~1,9 kg	6,00
SKP-L45-S/150-M12	150	M12	16,5	21,0	30,0	13,0	31,0	14,0	17,0	25	~2,4 kg	11,25
SKP-L45-S/185-M12	185	M12	18,5	23,0	34,5	13,0	37,0	17,0	18,0	20	~2,4 kg	13,75
SKP-L45-S/240-M12	240	M12	21,0	26,0	35,0	13,0	41,0	17,0	18,0	15	~2,5 kg	18,75