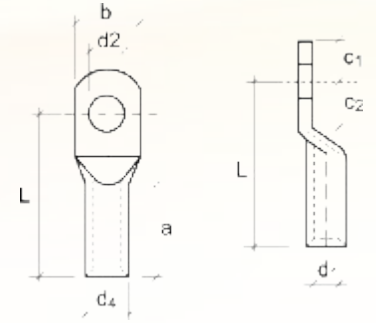


# SKP-S STANDART TİP SIKMALI KABLO PABUCU

## STANDARD TYPE TUBULAR CABLE LUGS



\*5846 sayılı yasa gereği fotoğrafların izinsiz yayınlanması ve kullanılması kesinlikle yasaktır.

ÜRÜN KODU Order Code	KABLO KESİTİ Cable Section (mm <sup>2</sup> )	CIVATA DELİĞİ Bolt	BOYUTLAR Dimensions								KUTU ADEDİ Box Pcs.	KUTU AĞIRLIĞI Box Weight	KOLİ ADEDİ Parcel Pcs.	KOLİ AĞIRLIĞI Box Weight	BİRİM FİYATI Unit Price TL
			d1	d4	a	d2	b	c1	c2	L					
SKP-S/006-M04	6	M4	4,0	5,5	9,5	4,3	9,0	6,5	6,5	19,0	1.000	~2,3 kg.	8.000	~18,4 kg	0,50
SKP-S/006-M05/SD		M5	4,0	5,5	9,5	5,3	9,0	6,5	6,5	19,0	1.000	~2,2 kg.	8.000	~17,6 kg	0,50
SKP-S/006-M06		M6	4,0	6,0	11,0	6,4	10,5	7,0	7,0	21,0	700	~2,4 kg.	5.600	~20,0 kg	0,66
SKP-S/006-M08		M8	4,0	6,0	11,0	8,4	13,0	8,0	8,0	22,5	600	~2,2 kg.	4.800	~17,6 kg	0,76
SKP-S/010-M04	10	M4	4,5	6,0	11,5	4,3	9,0	7,0	7,0	21,0	800	~2,3 kg.	6.400	~18,4 kg	0,60
SKP-S/010-M05/SD		M5	4,5	6,0	11,5	5,3	9,0	7,0	7,0	21,0	800	~2,3 kg.	6.400	~18,4 kg	0,50
SKP-S/010-M06		M6	4,5	6,5	13,0	6,4	11,0	7,0	7,0	23,0	700	~2,9 kg.	5.600	~23,2 kg	0,55
SKP-S/010-M08		M8	4,5	6,5	13,0	8,4	13,0	8,0	8,0	24,5	600	~2,5 kg.	4.800	~20,0 kg	0,60
SKP-S/010-M10		M10	4,5	6,5	13,0	10,5	15,5	9,0	9,0	27,0	500	~2,2 kg.	4.000	~17,6 kg	0,80
SKP-S/016-M05	16	M5	5,5	7,5	12,5	5,3	12,0	7,5	7,5	24,0	400	~2,2 kg.	3.200	~17,6 kg	0,75
SKP-S/016-M06/SD		M6	5,5	7,5	12,5	6,5	12,0	7,5	7,5	24,0	400	~2,1 kg.	3.200	~16,8 kg	0,75
SKP-S/016-M08		M8	5,5	7,5	13,0	8,4	13,0	8,0	8,0	25,5	500	~2,6 kg.	4.000	~20,8 kg	0,80
SKP-S/016-M10		M10	5,5	7,5	13,0	10,5	16,0	9,0	9,0	27,0	400	~2,2 kg.	3.200	~17,6 kg	0,95
SKP-S/025-M06	25	M6	7,0	9,5	17,5	6,5	14,0	8,5	8,5	30,5	300	~2,8 kg.	2.400	~22,4 kg	1,25
SKP-S/025-M08/SD		M8	7,0	9,5	17,5	8,5	14,0	8,5	8,5	30,5	300	~3,0 kg.	2.400	~24,0 kg	1,20
SKP-S/025-M10		M10	7,0	9,5	17,5	10,5	16,0	10,0	10,0	31,5	250	~2,4 kg.	2.000	~19,2 kg	1,30
SKP-S/025-M12		M12	7,0	9,5	17,5	13,0	18,0	11,0	11,0	35,0	200	~2,2 kg.	1.600	~17,6 kg	1,50
SKP-S/035-M06	35	M6	8,5	11,0	19,0	6,5	16,5	9,5	9,5	34,5	200	~2,9 kg.	1.600	~23,2 kg	1,70
SKP-S/035-M08/SD		M8	8,5	11,0	19,0	8,5	16,5	9,5	9,5	34,5	200	~2,7 kg.	1.600	~21,6 kg	1,63
SKP-S/035-M10		M10	8,5	11,0	19,0	10,5	16,5	10,0	10,0	34,5	200	~2,6 kg.	1.600	~20,8 kg	1,63
SKP-S/035-M12		M12	8,5	11,0	19,0	13,0	18,0	11,0	11,0	36,5	150	~2,1 kg.	1.200	~16,8 kg	1,90
SKP-S/050-M06	50	M6	10,0	13,0	20,0	6,5	19,0	11,0	11,0	39,5	125	~2,9 kg.	1.000	~23,2 kg	2,60
SKP-S/050-M08		M8	10,0	13,0	20,0	8,5	19,0	11,0	11,0	39,5	125	~2,9 kg.	1.000	~23,2 kg	2,60
SKP-S/050-M10/SD		M10	10,0	13,0	20,0	10,5	19,0	11,0	11,0	39,5	125	~2,8 kg.	1.000	~22,4 kg	2,60
SKP-S/050-M12		M12	10,0	13,0	20,0	13,0	19,0	11,0	11,0	39,5	125	~2,6 kg.	1.000	~20,8 kg	2,70
SKP-S/050-M14		M14	10,0	13,0	20,0	14,5	21,0	13,0	13,0	42,0	100	~2,3 kg.	800	~18,4 kg	2,95
SKP-S/070-M06	70	M6	11,5	14,5	21,5	6,5	21,0	11,0	11,0	41,5	80	~2,3 kg.	640	~18,4 kg	3,55
SKP-S/070-M08		M8	11,5	14,5	21,5	8,5	21,0	11,0	11,0	41,5	80	~2,1 kg.	640	~16,8 kg	3,55
SKP-S/070-M10/SD		M10	11,5	14,5	21,5	10,5	21,0	11,0	11,0	41,5	80	~2,1 kg.	640	~16,8 kg	3,55
SKP-S/070-M12		M12	11,5	14,5	21,5	13,0	21,0	11,0	11,0	41,5	80	~2,1 kg.	640	~16,8 kg	3,75
SKP-S/070-M14		M14	11,5	14,5	21,5	14,5	23,0	13,0	13,0	46,5	70	~2,0 kg.	560	~16,0 kg	4,50
SKP-S/070-M16		M16	11,5	14,5	21,5	16,5	23,0	16,0	16,0	46,5	70	~2,0 kg.	560	~16,0 kg	4,60

ÜRÜN KODU Order Code	KABLO KESİTİ Cable Section (mm <sup>2</sup> )	CIVATA DELİĞİ Bolt	BOYUTLAR Dimensions								KUTU ADEDİ Box Pcs.	KUTU AĞIRLIĞI Box Weight	KOLİ ADEDİ Parcel Pcs.	KOLİ AĞIRLIĞI Box Weight	BİRİM FİYATI Unit Price TL
			d1	d4	a	d2	b	c1	c2	L					
SKP-S/095-M06	95	M6	13,5	16,5	25,0	6,5	24,0	12,0	12,5	48,0	60	~2,2 kg.	480	~17,6 kg	4,25
SKP-S/095-M08		M8	13,5	16,5	25,0	8,5	24,0	12,0	12,5	48,0	60	~2,2 kg.	480	~17,6 kg	4,00
SKP-S/095-M10		M10	13,5	16,5	25,0	10,5	24,0	12,0	12,5	48,0	60	~2,2 kg.	480	~17,6 kg	3,75
<b>SKP-S/095-M12/SD</b>		<b>M12</b>	<b>13,5</b>	<b>16,5</b>	<b>25,0</b>	<b>13,0</b>	<b>24,0</b>	<b>12,0</b>	<b>12,5</b>	<b>48,0</b>	<b>60</b>	<b>~2,1 kg.</b>	<b>480</b>	<b>~16,8 kg</b>	<b>3,75</b>
SKP-S/095-M14		M14	13,5	16,5	25,0	14,5	26,0	14,0	14,0	50,0	50	~1,9 kg.	400	~15,2 kg	5,25
SKP-S/095-M16		M16	13,5	16,5	25,0	16,5	26,0	16,0	16,0	52,0	50	~1,9 kg.	400	~15,2 kg	5,25
SKP-S/120-M08	120	M8	14,5	18,0	27,0	8,5	26,5	14,0	14,0	52,0	50	~2,4 kg.	400	~19,2 kg	5,50
SKP-S/120-M10		M10	14,5	18,0	27,0	10,5	26,5	14,0	14,0	52,0	50	~2,4 kg.	400	~19,2 kg	5,50
<b>SKP-S/120-M12/SD</b>		<b>M12</b>	<b>14,5</b>	<b>18,0</b>	<b>27,0</b>	<b>13,0</b>	<b>26,5</b>	<b>14,0</b>	<b>14,0</b>	<b>52,0</b>	<b>50</b>	<b>~2,4 kg.</b>	<b>400</b>	<b>~19,2 kg</b>	<b>5,50</b>
SKP-S/120-M14		M14	14,5	18,0	27,0	14,5	26,5	14,0	14,0	52,0	50	~1,8 kg.	400	~14,4 kg	5,60
SKP-S/120-M16		M16	14,5	18,0	27,0	16,5	26,5	14,0	14,0	52,0	50	~1,8 kg.	400	~14,4 kg	5,65
SKP-S/120-M20		M20	14,5	18,0	27,0	21,0	29,0	16,0	16,0	54,0	40	~1,9 kg.	320	~15,2 kg	5,90
SKP-S/150-M08	150	M8	16,5	21,0	29,0	8,5	30,5	15,0	15,0	57,0	30	~2,5 kg.	240	~20,0 kg	9,00
SKP-S/150-M10		M10	16,5	21,0	29,0	10,5	30,5	15,0	15,0	57,0	30	~2,5 kg.	240	~20,0 kg	8,90
<b>SKP-S/150-M12/SD</b>		<b>M12</b>	<b>16,5</b>	<b>21,0</b>	<b>29,0</b>	<b>13,0</b>	<b>30,5</b>	<b>15,0</b>	<b>15,0</b>	<b>57,0</b>	<b>30</b>	<b>~2,5 kg.</b>	<b>240</b>	<b>~20,0 kg</b>	<b>8,50</b>
SKP-S/150-M14		M14	16,5	21,0	29,0	14,5	30,5	15,0	15,0	57,0	30	~2,3 kg.	240	~18,4 kg	8,90
SKP-S/150-M16		M16	16,5	21,0	29,0	16,5	30,5	15,0	15,0	57,0	30	~2,3 kg.	240	~18,4 kg	9,00
SKP-S/150-M20		M20	16,5	21,0	29,0	21,0	30,5	15,0	15,0	57,0	30	~2,2 kg.	240	~17,6 kg	9,00
SKP-S/185-M10	185	M10	18,5	23,0	33,0	10,5	33,5	16,0	16,0	63,0	20	~2,0 kg.	160	~16,0 kg	10,00
<b>SKP-S/185-M12/SD</b>		<b>M12</b>	<b>18,5</b>	<b>23,0</b>	<b>33,0</b>	<b>13,0</b>	<b>33,5</b>	<b>16,0</b>	<b>16,0</b>	<b>63,0</b>	<b>20</b>	<b>~2,0 kg.</b>	<b>160</b>	<b>~16,0 kg</b>	<b>10,00</b>
SKP-S/185-M14		M14	18,5	23,0	33,0	14,5	33,5	16,0	16,0	63,0	20	~1,9 kg.	160	~15,2 kg	10,00
SKP-S/185-M16		M16	18,5	23,0	33,0	16,5	33,5	16,0	16,0	63,0	20	~1,9 kg.	160	~15,2 kg	10,00
SKP-S/185-M20		M20	18,5	23,0	33,0	21,0	33,5	16,0	16,0	63,0	20	~1,8 kg.	160	~14,4 kg	10,00
SKP-S/240-M10		240	M10	21,0	26,0	37,0	10,5	38,0	16,5	16,5	70,0	20	~2,8 kg.	160	~22,4 kg
<b>SKP-S/240-M12/SD</b>	<b>M12</b>		<b>21,0</b>	<b>26,0</b>	<b>37,0</b>	<b>13,0</b>	<b>38,0</b>	<b>16,5</b>	<b>16,5</b>	<b>70,0</b>	<b>20</b>	<b>~2,7 kg.</b>	<b>160</b>	<b>~21,6 kg</b>	<b>13,75</b>
SKP-S/240-M14	M14		21,0	26,0	37,0	14,5	38,0	16,5	16,5	70,0	20	~2,6 kg.	160	~20,8 kg	13,75
SKP-S/240-M16	M16		21,0	26,0	37,0	16,5	38,0	16,5	16,5	70,0	20	~2,6 kg.	160	~20,8 kg	13,75
SKP-S/240-M20	M20		21,0	26,0	37,0	21,0	38,0	16,5	16,5	70,0	20	~2,5 kg.	160	~20,0 kg	14,00
SKP-S/300-M10	300		M10	23,5	28,5	41,0	10,5	42,0	19,0	22,0	80,0	16	~2,8 kg.	128	~22,4 kg
SKP-S/300-M12		M12	23,5	28,5	41,0	13,0	42,0	19,0	22,0	80,0	16	~2,8 kg.	128	~22,4 kg	17,25
SKP-S/300-M14		M14	23,5	28,5	41,0	15,0	42,0	19,0	22,0	80,0	16	~2,7 kg.	128	~21,6 kg	17,25
<b>SKP-S/300-M16/SD</b>		<b>M16</b>	<b>23,5</b>	<b>28,5</b>	<b>41,0</b>	<b>17,0</b>	<b>42,0</b>	<b>19,0</b>	<b>22,0</b>	<b>80,0</b>	<b>16</b>	<b>~2,6 kg.</b>	<b>128</b>	<b>~20,8 kg</b>	<b>17,25</b>
SKP-S/300-M20		M20	23,5	28,5	41,0	21,0	42,0	19,0	22,0	80,0	16	~2,5 kg.	128	~20,0 kg	17,25
SKP-S/400-M12		400	M12	27,0	33,0	46,0	13,0	48,0	20,0	20,0	90,0	6	~1,7 kg.	48	~13,6 kg
SKP-S/400-M14	M14		27,0	33,0	46,0	15,0	48,0	20,0	20,0	90,0	6	~1,7 kg.	48	~13,6 kg	27,50
<b>SKP-S/400-M16/SD</b>	<b>M16</b>		<b>27,0</b>	<b>33,0</b>	<b>46,0</b>	<b>17,0</b>	<b>48,0</b>	<b>20,0</b>	<b>20,0</b>	<b>90,0</b>	<b>6</b>	<b>~1,6 kg.</b>	<b>48</b>	<b>~12,8 kg</b>	<b>27,50</b>
SKP-S/400-M20	M20		27,0	33,0	46,0	21,0	48,0	20,0	20,0	90,0	6	~1,7 kg.	48	~13,6 kg	29,00
SKP-S/500-M16	500	M16	30,0	38,0	56,0	17,0	54,0	22,0	22,0	99,0	5	~2,2 kg.	40	~17,6 kg	47,50
<b>SKP-S/500-M20/SD</b>		<b>M20</b>	<b>30,0</b>	<b>38,0</b>	<b>56,0</b>	<b>21,0</b>	<b>54,0</b>	<b>22,0</b>	<b>22,0</b>	<b>99,0</b>	<b>5</b>	<b>~2,1 kg.</b>	<b>40</b>	<b>~16,8 kg</b>	<b>47,50</b>
SKP-S/625-M16	625	M16	34,0	42,0	60,0	17,0	61,0	23,0	23,0	113,0	4	~2,3 kg.	32	~18,4 kg	82,00
<b>SKP-S/625-M20/SD</b>		<b>M20</b>	<b>34,0</b>	<b>42,0</b>	<b>60,0</b>	<b>21,0</b>	<b>61,0</b>	<b>23,0</b>	<b>23,0</b>	<b>113,0</b>	<b>4</b>	<b>~2,3 kg.</b>	<b>32</b>	<b>~18,4 kg</b>	<b>82,00</b>

### SKP-S Özellikleri

Hammadde	: EN 13600 Bakır Boru
Material	: Electrolytic Copper Conformed To EN 13600
Kaplama	: Kalay
Coating	: Tin Plated
Bağlantı	: Sıkma
Joint	: Clamp Coupling
Boru Et Kalınlığı	: Kalın
Thickness	: Thick
Kablo Girişi	: Normal
Cable Entry	: Standard



Bu tabloda koyu yazı karakteri ile belirtilmiş olan kablo pabuçları standart üretimimizdir.

The cable lugs which are indicated in bold font, are standart products of **Simpa**