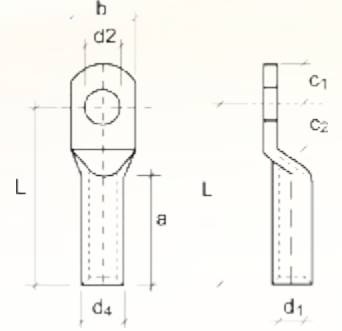


SKP-S2

SIKMALI KABLO PABUCU LONG BARREL TUBULAR CABLE LUGS



*5846 sayılı yasa gereği fotoğrafların izinsiz yayınlanması ve kullanılması kesinlikle yasaktır.



ÜRÜN KODU Order Code	KABLO KESİTİ Cable Section (mm ²)	CIVATA DELİĞİ Bolt	BOYUTLAR Dimensions								KUTU ADEDİ Box Pcs.	KUTU AĞIRLIĞI Box Weight	KOLİ ADEDİ Parcel Pcs.	KOLİ AĞIRLIĞI Box Weight	BİRİM FİYATI Unit Price TL
			d1	d4	a	d2	b	c1	c2	L					
SKP-S2/010-M05	10	M5	4,5	7,0	14,0	5,5	12,0	6,5	7,5	26,0	400	~2,6 kg.	3.200	~20,8 kg	1,00
SKP-S2/010-M06/SD		M6	4,5	7,0	14,0	6,5	12,0	6,2	7,5	26,0	400	~2,4 kg.	3.200	~19,2 kg	1,00
SKP-S2/010-M08		M8	4,5	7,5	14,0	8,5	15,0	10,0	10,0	29,0	400	~2,7 kg.	3.200	~21,6 kg	1,25
SKP-S2/010-M10		M10	4,5	7,5	14,0	10,5	17,0	12,0	12,0	31,0	400	~2,9 kg.	3.200	~23,2 kg	1,40
SKP-S2/010-M12		M12	4,5	7,5	14,0	13,0	19,0	13,0	13,0	33,0	300	~3,0 kg.	2.400	~24,0 kg	1,50
SKP-S2/016-M05	16	M5	5,5	8,5	17,0	5,5	12,0	5,5	6,5	30,0	250	~2,5 kg.	2.000	~20,0 kg	1,75
SKP-S2/016-M06		M6	5,5	8,5	17,0	6,5	12,0	6,2	7,5	31,0	250	~2,6 kg.	2.000	~20,8 kg	1,75
SKP-S2/016-M08/SD		M8	5,5	8,5	17,0	8,4	15,0	8,5	9,5	33,0	250	~2,7 kg.	2.000	~21,6 kg	1,75
SKP-S2/016-M10		M10	5,5	8,5	17,0	10,5	17,0	10,5	11,5	35,0	250	~2,9 kg.	2.000	~23,2 kg	1,90
SKP-S2/016-M12		M12	5,5	8,5	17,0	13,0	19,0	12,0	13,0	37,0	250	~3,1 kg.	2.000	~24,8 kg	2,10
SKP-S2/025-M05	25	M5	7,0	10,0	19,0	5,5	14,0	7,5	7,5	34,0	175	~2,4 kg.	1.400	~19,2 kg	2,40
SKP-S2/025-M06		M6	7,0	10,0	19,0	6,5	14,0	7,5	7,5	34,0	175	~2,4 kg.	1.400	~19,2 kg	2,40
SKP-S2/025-M08/SD		M8	7,0	10,0	19,0	8,4	16,0	10,0	10,0	36,0	175	~2,6 kg.	1.400	~20,8 kg	2,40
SKP-S2/025-M10		M10	7,0	10,0	19,0	10,5	18,0	12,0	12,0	38,0	175	~2,8 kg.	1.400	~22,4 kg	2,50
SKP-S2/025-M12		M12	7,0	10,0	19,0	13,0	19,0	13,0	13,0	39,0	175	~2,7 kg.	1.400	~21,6 kg	2,65
SKP-S2/035-M06	35	M6	8,5	12,0	23,0	6,5	17,0	7,5	7,5	38,0	100	~2,2 kg.	800	~17,6 kg	3,70
SKP-S2/035-M08/SD		M8	8,5	12,0	23,0	8,4	17,0	10,0	10,0	40,0	100	~2,3 kg.	800	~18,4 kg	3,70
SKP-S2/035-M10		M10	8,5	12,0	23,0	10,5	19,0	12,0	12,0	43,0	100	~2,5 kg.	800	~20,0 kg	4,10
SKP-S2/035-M12		M12	8,5	12,0	23,0	13,0	21,0	13,0	13,0	44,0	100	~2,5 kg.	800	~20,0 kg	4,30
SKP-S2/035-M16		M16	8,5	12,0	23,0	17,0	26,0	16,0	16,0	48,0	100	~2,6 kg.	800	~20,8 kg	4,50
SKP-S2/050-M06	50	M6	10,0	14,0	25,0	6,5	20,0	10,0	10,0	43,0	60	~2,1 kg.	480	~16,8 kg	4,85
SKP-S2/050-M08		M8	10,0	14,0	25,0	8,5	20,0	10,0	10,0	43,0	60	~2,0 kg.	480	~16,0 kg	4,85
SKP-S2/050-M10/SD		M10	10,0	14,0	25,0	10,5	20,0	12,0	12,0	45,0	60	~2,1 kg.	480	~16,8 kg	4,85
SKP-S2/050-M12		M12	10,0	14,0	25,0	13,0	23,0	13,0	13,0	49,0	60	~2,3 kg.	480	~18,4 kg	5,50
SKP-S2/050-M16		M16	10,0	14,0	25,0	17,0	28,0	16,0	16,0	52,0	60	~2,3 kg.	480	~18,4 kg	5,90
SKP-S2/050-M20		M20	10,0	14,0	25,0	21,0	30,0	19,0	19,0	54,0	60	~2,3 kg.	480	~18,4 kg	6,20
SKP-S2/070-M06	70	M6	12,0	16,5	29,0	6,5	23,0	10,0	10,0	51,0	50	~2,7 kg.	400	~21,6 kg	7,00
SKP-S2/070-M08		M8	12,0	16,5	29,0	8,5	23,0	10,0	10,0	51,0	50	~2,6 kg.	400	~20,8 kg	7,00
SKP-S2/070-M10/SD		M10	12,0	16,5	29,0	10,5	23,0	12,0	12,0	52,0	50	~2,7 kg.	400	~21,6 kg	7,00
SKP-S2/070-M12		M12	12,0	16,5	29,0	13,0	23,0	13,0	13,0	54,0	50	~2,7 kg.	400	~21,6 kg	7,50
SKP-S2/070-M16		M16	12,0	16,5	29,0	17,0	28,0	16,0	16,0	58,0	50	~2,9 kg.	400	~23,2 kg	7,75
SKP-S2/070-M20		M20	12,0	16,5	29,0	21,0	30,0	19,0	19,0	61,0	50	~3,0 kg.	400	~24,0 kg	8,00

ÜRÜN KODU Order Code	KABLO KESİTİ Cable Section (mm ²)	CIVATA DELİĞİ Bolt	BOYUTLAR Dimensions								KUTU ADEĐİ Box Pcs.	KUTU AĞIRLIĐI Box Weight	KOLİ ADEĐİ Parcel Pcs.	KOLİ AĞIRLIĐI Box Weight	BİRİM FİYATI Unit Price TL
			d1	d4	a	d2	b	c1	c2	L					
SKP-S2/095-M08	95	M8	13,5	18,0	33,0	8,5	26,0	12,0	12,0	56,0	40	~2,6 kg.	320	~20,8 kg	8,00
SKP-S2/095-M10		M10	13,5	18,0	33,0	10,5	26,0	12,0	12,0	56,0	40	~2,6 kg.	320	~20,8 kg	8,00
SKP-S2/095-M12/SD		M12	13,5	18,0	33,0	13,0	26,0	13,0	13,0	57,0	40	~2,6 kg.	320	~20,8 kg	8,00
SKP-S2/095-M16		M16	13,5	18,0	33,0	17,0	28,0	16,0	16,0	62,0	40	~2,7 kg.	320	~21,6 kg	8,60
SKP-S2/095-M20		M20	13,5	18,0	33,0	21,0	36,0	22,0	22,0	68,0	40	~3,1 kg.	320	~24,8 kg	9,00
SKP-S2/120-M08	120	M8	15,0	19,5	36,0	8,5	28,0	14,0	14,0	61,0	30	~2,4 kg.	240	~19,2 kg	9,50
SKP-S2/120-M10		M10	15,0	19,5	36,0	10,5	28,0	14,0	14,0	61,0	30	~2,3 kg.	240	~18,4 kg	9,50
SKP-S2/120-M12/SD		M12	15,0	19,5	36,0	13,0	28,0	14,0	14,0	61,0	30	~2,3 kg.	240	~18,4 kg	9,50
SKP-S2/120-M16		M16	15,0	19,5	36,0	17,0	30,0	16,0	16,0	64,0	30	~2,3 kg.	240	~18,4 kg	10,25
SKP-S2/120-M20		M20	15,0	19,5	36,0	21,0	36,0	22,0	22,0	73,0	30	~2,7 kg.	240	~21,6 kg	11,00
SKP-S2/150-M08	150	M8	16,5	21,0	40,0	8,5	31,0	14,0	14,0	66,0	25	~2,3 kg.	200	~18,4 kg	12,50
SKP-S2/150-M10		M10	16,5	21,0	40,0	10,5	31,0	14,0	14,0	66,0	25	~2,3 kg.	200	~18,4 kg	12,50
SKP-S2/150-M12/SD		M12	16,5	21,0	40,0	13,0	31,0	15,0	15,0	67,0	25	~2,3 kg.	200	~18,4 kg	12,50
SKP-S2/150-M16		M16	16,5	21,0	40,0	17,0	31,0	16,0	16,0	68,0	25	~2,2 kg.	200	~17,6 kg	13,25
SKP-S2/150-M20		M20	16,5	21,0	40,0	21,0	36,0	22,0	22,0	76,0	25	~2,6 kg.	200	~20,8 kg	13,75
SKP-S2/185-M10	185	M10	19,0	24,0	42,0	10,5	35,0	16,0	16,0	72,5	20	~2,6 kg.	160	~20,8 kg	14,50
SKP-S2/185-M12/SD		M12	19,0	24,0	42,0	13,0	35,0	16,0	16,0	72,5	20	~2,6 kg.	160	~20,8 kg	14,50
SKP-S2/185-M16		M16	19,0	24,0	42,0	17,0	35,0	16,0	16,0	72,5	20	~2,7 kg.	160	~21,6 kg	14,50
SKP-S2/185-M20		M20	19,0	24,0	42,0	21,0	39,0	21,5	19,0	76,5	20	~2,8 kg.	160	~22,4 kg	15,00
SKP-S2/240-M10		240	M10	21,0	26,0	45,0	10,5	39,0	16,5	16,5	79,0	15	~2,5 kg.	120	~20,0 kg
SKP-S2/240-M12/SD	M12		21,0	26,0	45,0	13,0	39,0	16,5	16,5	79,0	15	~2,3 kg.	120	~18,4 kg	16,25
SKP-S2/240-M16	M16		21,0	26,0	45,0	17,0	39,0	16,5	16,5	79,0	15	~2,4 kg.	120	~19,2 kg	16,25
SKP-S2/240-M20	M20		21,0	26,0	45,0	21,0	39,0	21,5	19,0	82,0	15	~2,4 kg.	120	~19,2 kg	17,00
SKP-S2/300-M12	300		M12	23,5	29,5	56,0	13,0	43,0	24,0	24,0	99,0	8	~2,2 kg.	64	~17,6 kg
SKP-S2/300-M16		M16	23,5	29,5	56,0	17,0	43,0	24,0	24,0	99,0	8	~2,1 kg.	64	~16,8 kg	31,50
SKP-S2/300-M20/SD		M20	23,5	29,5	56,0	21,0	43,0	24,0	24,0	99,0	8	~2,1 kg.	64	~16,8 kg	31,50
SKP-S2/400-M12	400	M12	27,0	34,0	60,0	13,0	49,0	24,0	24,0	106,0	6	~2,3 kg.	48	18,4 kg	46,00
SKP-S2/400-M16		M16	27,0	34,0	60,0	17,0	49,0	24,0	24,0	106,0	6	~2,3 kg.	48	18,4 kg	46,00
SKP-S2/400-M20/SD		M20	27,0	34,0	60,0	21,0	49,0	24,0	24,0	106,0	6	~2,2 kg.	48	17,6 kg	46,00

SKP-S2 Özellikleri

Hammadde Material	: EN 13600 Bakır Boru Electrolytic Copper Conformed To EN 13600
Kaplama Coating	: Kalay Tin Plated
Bağlantı Joint	: Sıkma Clamp Coupling
Boru Et Kalınlığı Thickness	: Çok Kalın Very Thick
Kablo Girişi Cable Entry	: Uzun Long



Bu tabloda koyu yazı karakteri ile belirtilmiş olan kablo pabuçları standart üretimimizdir.
The cable lugs which are indicated in bolt font, are standart products of **Simpa**